

INSTALLATION INSTRUCTIONS

19319E1 Sprayer Conversion Kit

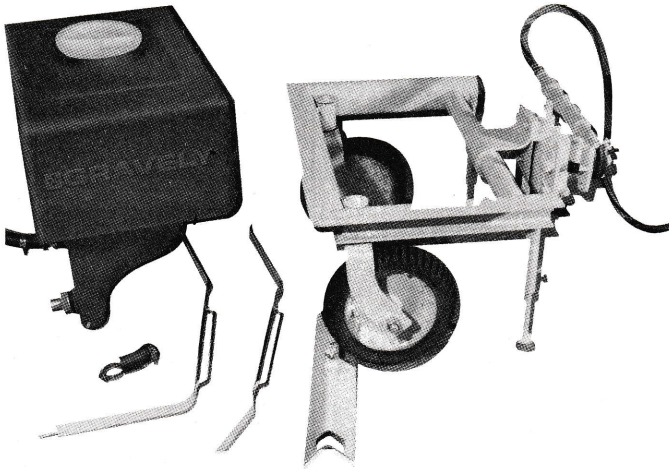


Figure 1

1. Remove tank band weldments and the gun support strap weldment.
2. Remove the hoses from the fittings on the tank and pump.
3. Lift off the plastic tank.
4. Drill two 3/8 inch diameter holes in each side of the sprayer frame. See Figure 2.(four locations)
5. Remove the fittings from the relief valve and the strainer and replace with plastic fittings. See Figure 3.

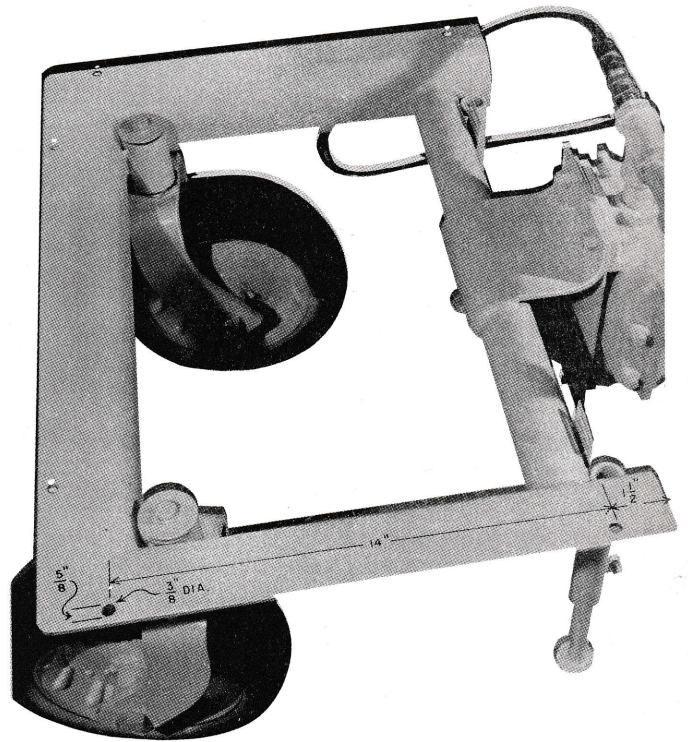


Figure 2

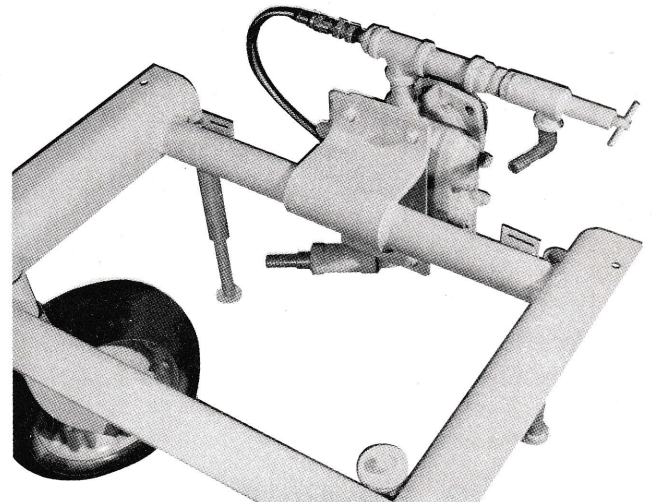


Figure 3

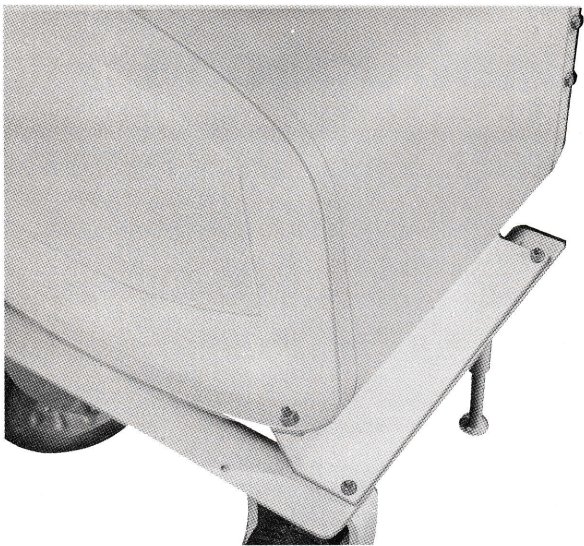


Figure 4

6. Install the tank mounting brackets on each side of the frame. Mount the tank on the brackets.

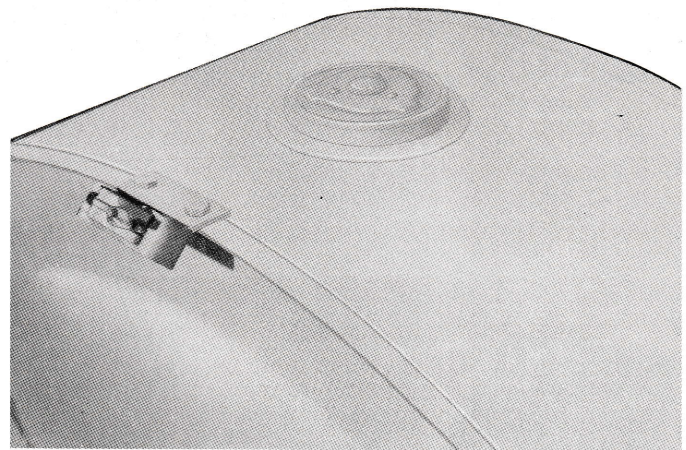


Figure 6

8. Install the hose bracket across the back of the tank.
9. Install the hose from the strainer to the bottom of the tank. It will be necessary to turn the strainer for the hose to line up.
10. Install the hose from the relief valve to the back of the tank.
11. Fill with water and test operation checking for leaks.

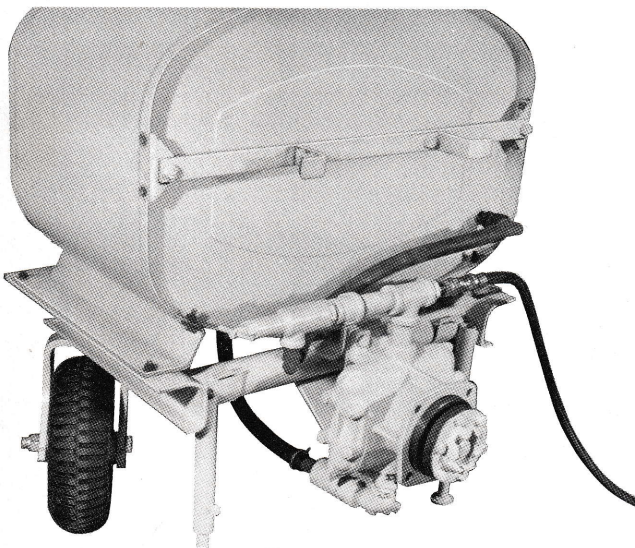


Figure 5

7. Install the gun support on the front edge of the tank.

GRAVELY

Form No. 19392P1 (12-71)
Printed in U. S. A.

One Gravelly Lane
Clemmons, N. C. 27012